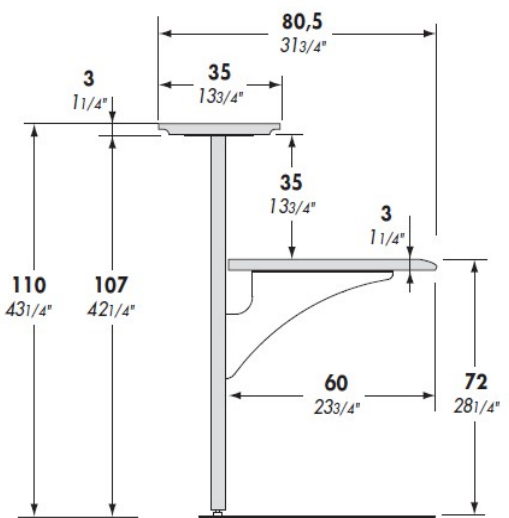


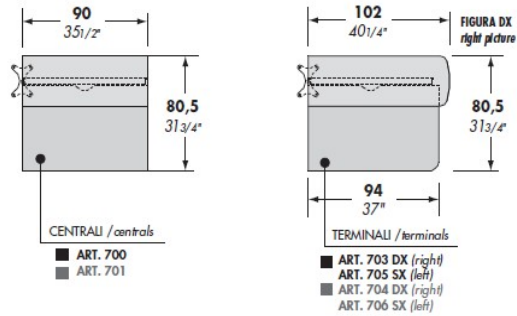
INGOMBRI RECEPTION
dimension of reception

AC1 AT1

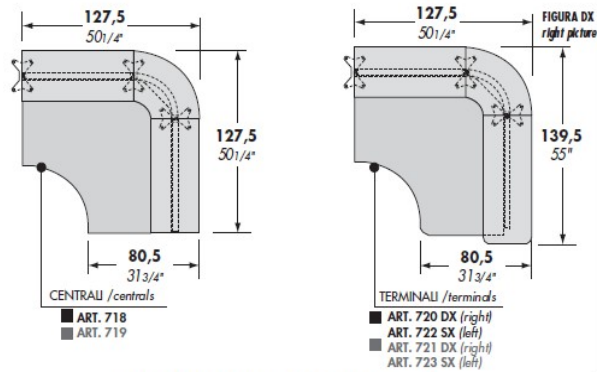


TIPOLOGIE / typology	
■	CON MENSOLA LEGNO with wooden shelf
■	CON MENSOLA IN VETRO TEMPERATO SATINATO with tempered satined glass shelf

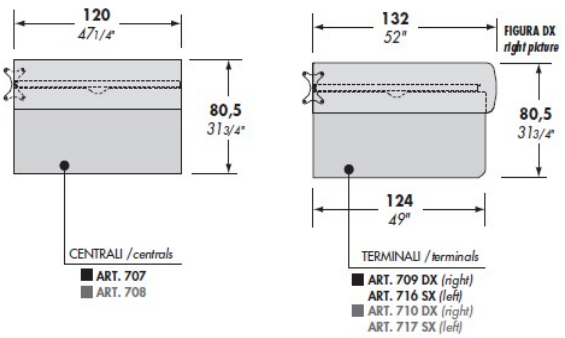
RECEPTION LINEARI L.90 / linear reception w 35 1/2"



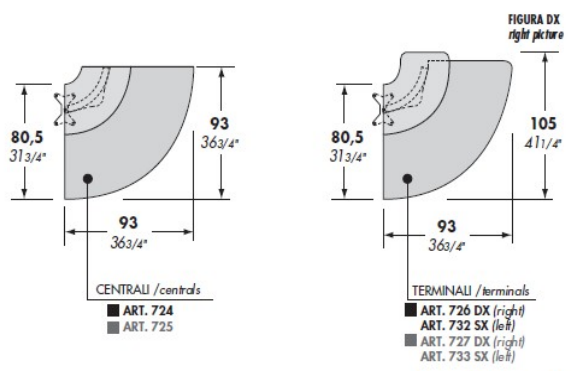
ANGOLI ESTERNI 90° / 90° external corner



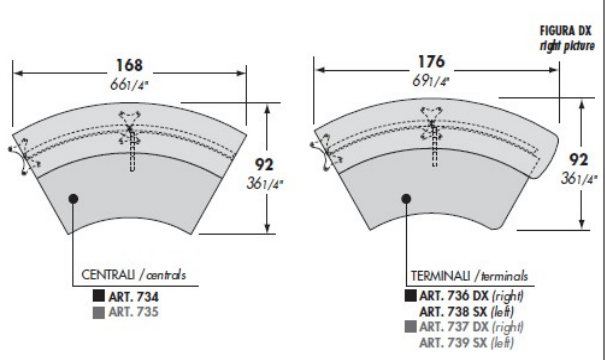
RECEPTION L.120 / reception w 47 1/4"



ANGOLI INTERNI 90° / 90° internal corner



ANGOLI ESTERNI 60° / 60° external corner



ANGOLI INTERNI 60° / 60° internal corner

